

ROBYCAM COMPACT

Robycam Compact is a smaller version of Robycam 3D cable-suspended camera. Same, as its bigger brother, the camera can move freely through space in vertical and horizontal dimensions allowing to shoot spectacular images from the view angles, that no other camera can achieve.

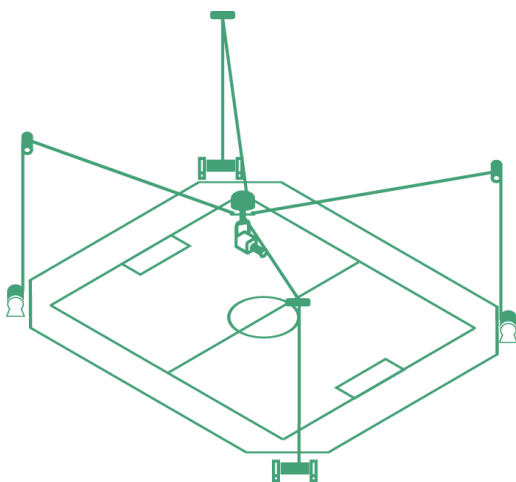
Robycam Compact is designed to use in TV studios and small and medium-size sport venues, for example basketball or ice-hockey halls. The winches of the system may be easily placed in venues with limited space still providing enough pulling force to maximize the working height of the camera. The compact and lightweight dolly with a gyrostabilized camera head allow to control camera orientation as well as lens parameters.

Robycam Compact is available both for fixed installation or in a mobile variant for multi-event applications.

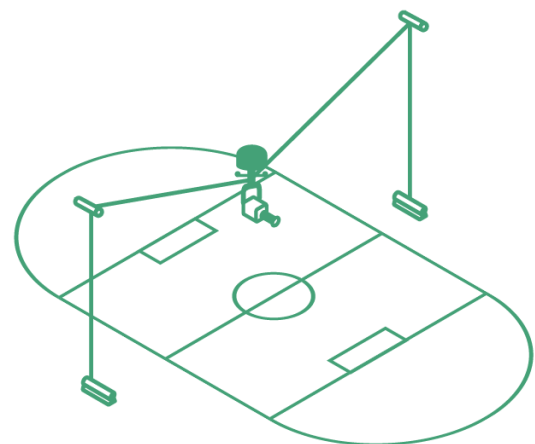
Key features

- Flying area of **80 x 80 m** (260 x 260 ft), deflection angle 8°
- Top speed of up to **4,5 m/s**
- **Fiber-optic** lines integrated into catenary cables
- **UHD** options for Quad-SDI and double-fiber cameras
- Integrated **AR camera** tracking solution (no third-party equipment required)
- Safety: Complies to accordance with **DGUV 17/18** (former BGV-C1), Germany and all other major regulations

Working modes



3D mode: four power winches are used to move the dolly within 3D space between the pulleys. Allows free movement in all 3 directions.



2D mode: two power winches form a working zone as a vertical plane between the pulleys. Suits for locations, where a lot of other equipment (e.g. lights) is obstructing pure 3D operation.

Winches

- Power: **3-phase 380V 4 kW** (200 V optional)
- Cable capacity: **130 m**
- Catenary rope with more than 12 times safety margin relative to the working loads
- Double brakes with automatic engagement in case of power loss
- Internal safety monitoring system in each system.
- Emergency stop time no more than **50 ms**.
- Single cable exit point simplifies winch placement
- Compact size: **100 x 38 x 56 cm winches + 90 x 42 x 60 cm electric cabinets** (in flightcases)
- Weight: 130 kg winch + 62 kg electric cabinet (with flightcase)



Dolly

- **3-axis** digital gyro-stabilization
- Direct drive motors
- Unlimited pan
- Integrated fiber converter
- Integrated camera power supply
- Compatible cameras:
 - **HD**: Sony HDC-P1, Grass Valley LDX Compact and similar
 - **UHD**: Sony HDC-P43, Grass Valley LDX Compact, Panasonic AK-UB300 and similar
 - **Cinema**: Alexa Mini, RED, Sony PMW-F55 etc.
- Compatible lenses: Canon and Fujinon ENG lenses
- Battery runtime: **6-8 hours**



Control station

- Constantly enabled safety borders (including non-square)
- Constant system state monitoring
- Fingerprint protection from unauthorized access
- Two-people required for operating: a pilot moving dolly in space and an operator controlling the camera head and the lens
- Motion tracking capabilities