

ROBYHEAD 2D

Cost-Effective Pan-Tilt Solution For Box Cameras

RobyHead 2D is a typical pan-tilt solution for box cameras. It can be used in normal and upside-down positions and can be easily integrated into broadcasting infrastructure. The head is designed for both indoor and outdoor use.



Remote Head Specifications

- Weight: 3,5 kg
- Load capacity: 5 kg
- Speed: 0.01-60 °/s
- Voltage: 12 V
- Protection class: IP67

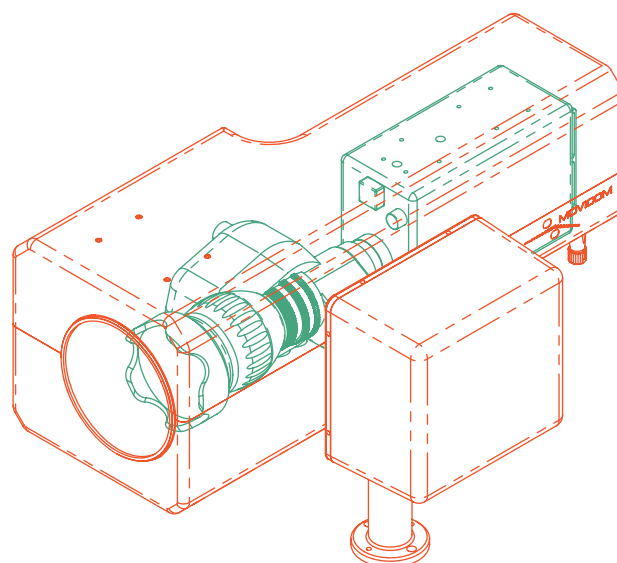
Key Features

- Digital interface to Canon and Fujinon motorized lenses
- Custom lens motors supplied on request
- Single control panel for multiple units
- Long-distance serial control interface
- Zoom compensator for smooth operation at tele zoom range



Camera Protection Case

The head may be supplied with a weather-protection case for a camera. The case fits most box cameras including Sony HDC-P1, GrassValley LDX Compact and others with a wide-angle Canon or Fujinon lens. The case provides IP67 protection rating and may be equipped with a heater for low temperatures.



Control Panel

The control unit incorporates high-precision sensitive joystick and lens controls (zoom / focus / iris). It has a menu screen for settings adjustments and may control several camera heads.

