



We've got Vision



2016



“

*It is always about the inner-children in our hearts.*

*Children - open to the outer world, ready to spend their energy to create things, pictures, emotions.*

*Step by step, stone by stone we're adding pieces to a whole living colorful picture with a certain vision in our minds, maintaining the legacy and looking forward into the future..*

”

**CEO VICTOR PAKHOMOV**





# MOVICOM



# ROBYCAM

ROBYCAM is an aerial cable system combining intellectual robotic winches, gyro-stabilized camera head and advanced computational algorithms, which allow the camera to follow literally any 3D motion path within the working area. This provides an opportunity to take spectacular shots varying from ground-level flight to in-action and “eagle-view” camera, all with a single system.

## ROBYHEAD R2

ROBYHEAD R2 is the main element of the dolly. It performs 3-axis gyro-stabilization of the camera and provides full control over camera view angle.

### Features:

- Endless pan
- Supports all HD box cameras (Sony HDC-P1, Panasonic AK-HC1800, Grass Valley LDX Compact and others)
- Supports Sony PMW-F55 with 4K-live output and RCP integration
- Supports cinema production cameras (RED Weapon, Alexa Mini etc.)
- Digital interface to Canon and Fujinon motorized lenses
- 12 V output for camera power supply

ROBYHEAD R2 can be used as a separate product with or without integrated fiber-optic videoconverter.

### SAFETY

DGUV16/17  
(prev. BGV-C1)

Augmented  
reality  
integration

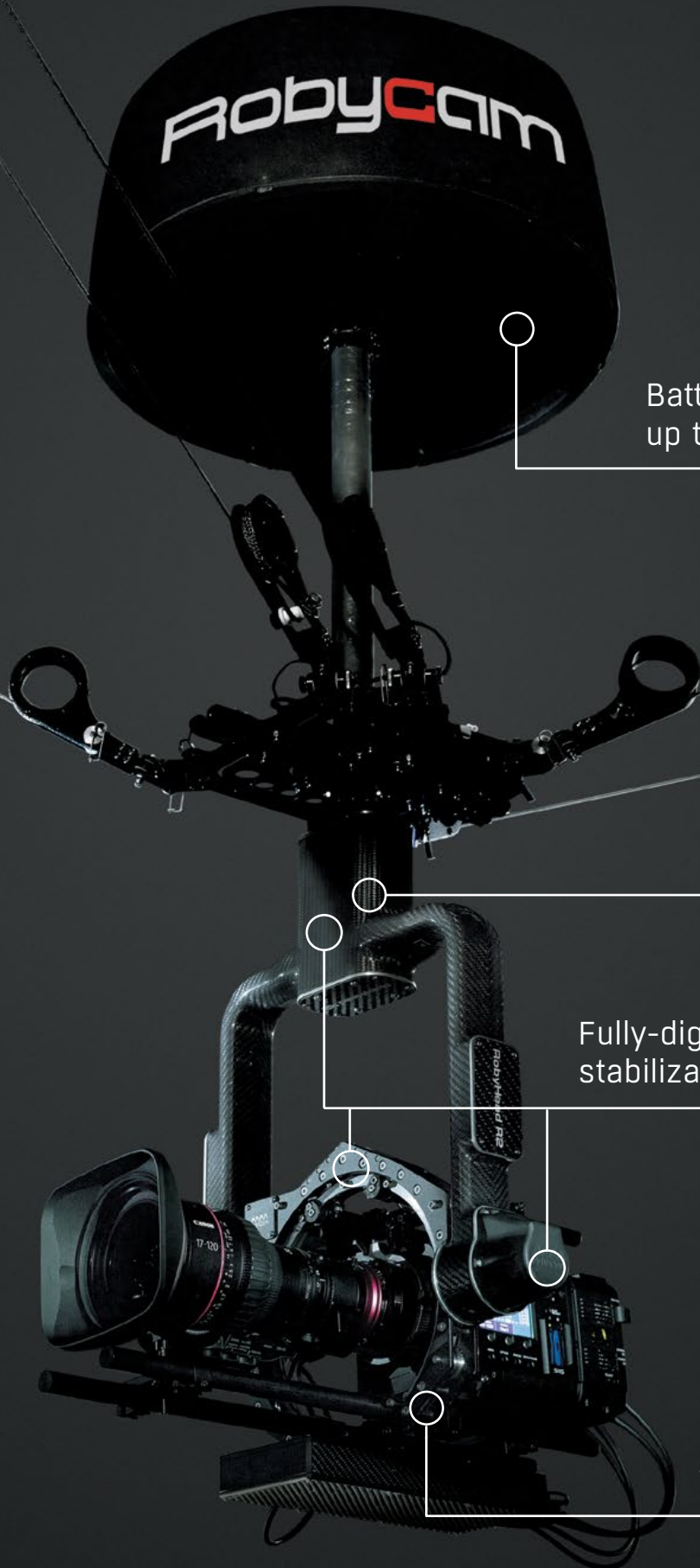
Working  
zone  
200x200m

Maximal  
speed  
10 m/s

Dolly weight  
only 18 kg

4K LIVE





Battery runtime  
up to 8 hours

Lightweight carbon-fiber  
monocoque body

Fully-digital 3-axis  
stabilization

Active roll  
with autohorizon



# ROBYCAM

## Polyspasts

The suspension ropes of the dolly can be wired in a special "polyspast" mode. The mode allows to apply more force from the winches to the dolly increasing the maximal working height without altering hardware of the system.

## Safety

The system has been proved to comply with DGUV 17/18 (former BGV-C1) German safety standard and conforms all other major national safety requirements.

Setting working zone borders and keeping the dolly within is an inherent feature of the software.

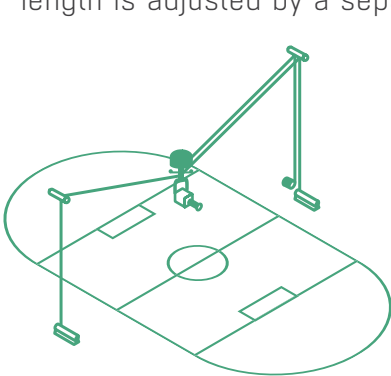


## Augmented reality

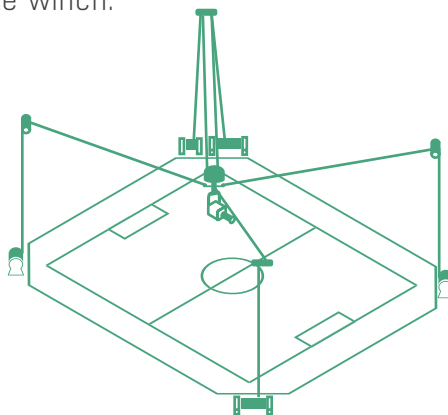
ROBYCAM can be integrated with all major AR systems to provide accurate tracking data of camera position, orientation and lens parameters.

## Modularity

ROBYCAM is a modular system which allows to use the same system both in 3D and 2D modes. In both modes videosignal and camera head controls are delivered to/from the dolly via a separate fiber-optic cable, whose length is adjusted by a separate winch.



**2** power winches + fiber winch  
Working zone:  
vertical plane



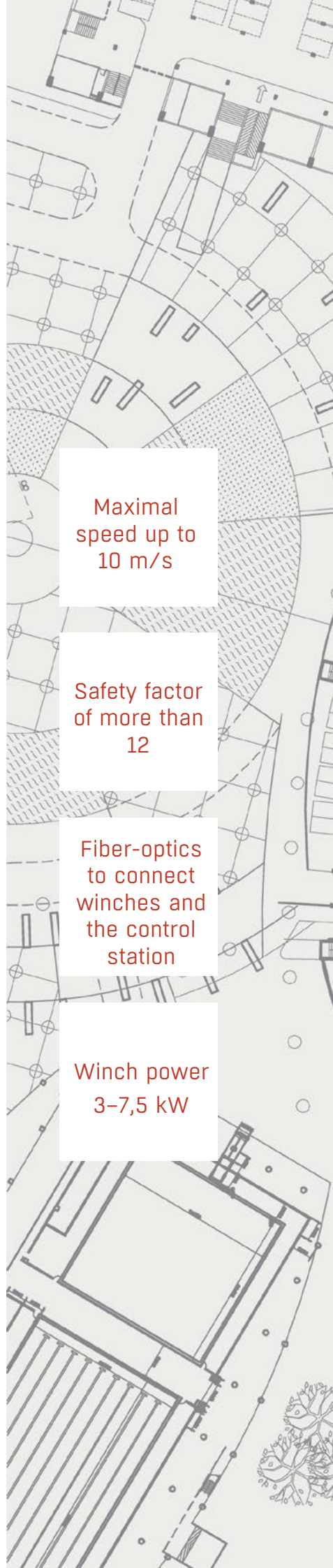
**4** power winches + fiber winch  
Working zone:  
3D box

Maximal speed up to 10 m/s

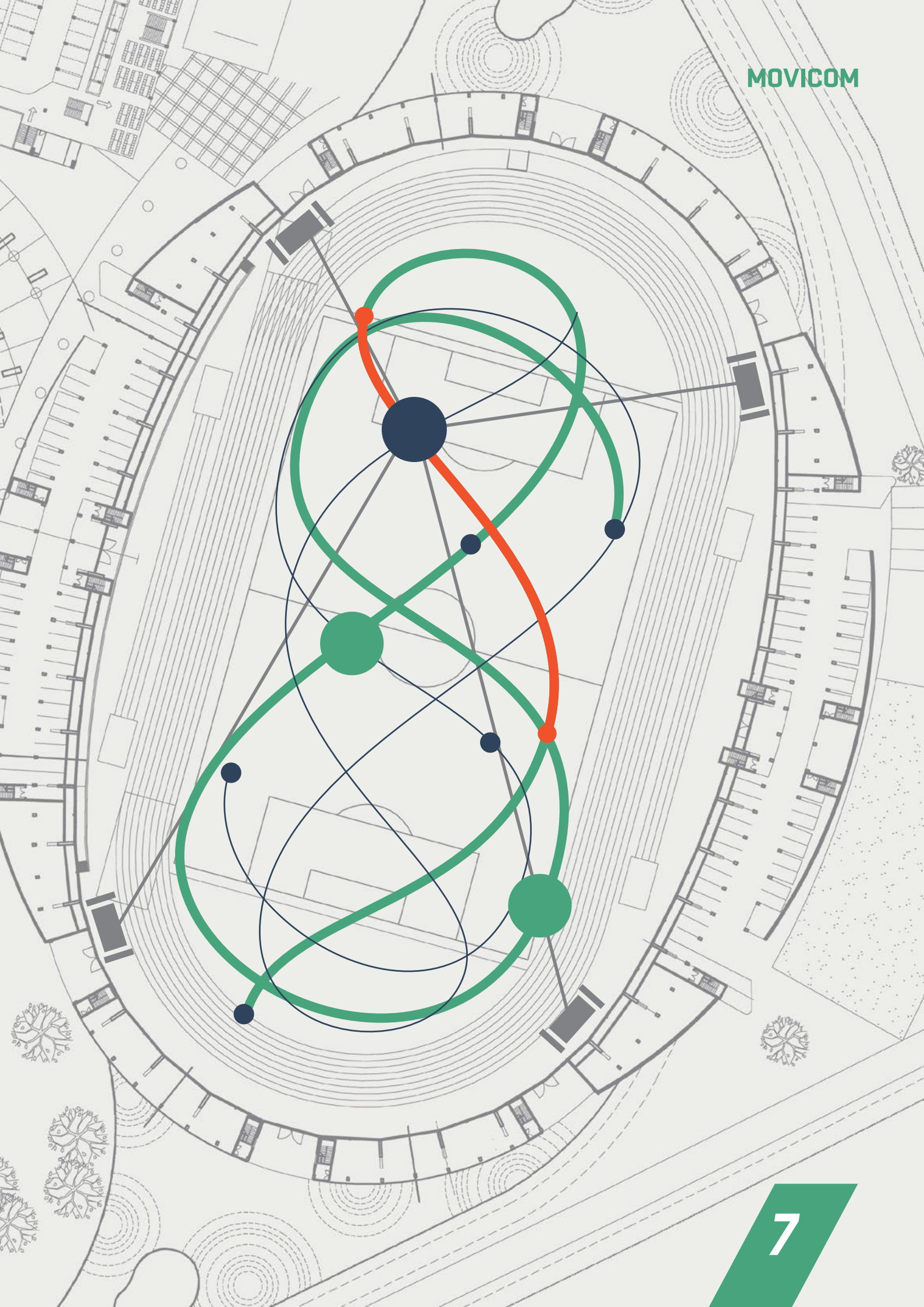
Safety factor of more than 12

Fiber-optics to connect winches and the control station

Winch power 3-7,5 kW









Up to  
1000m  
long

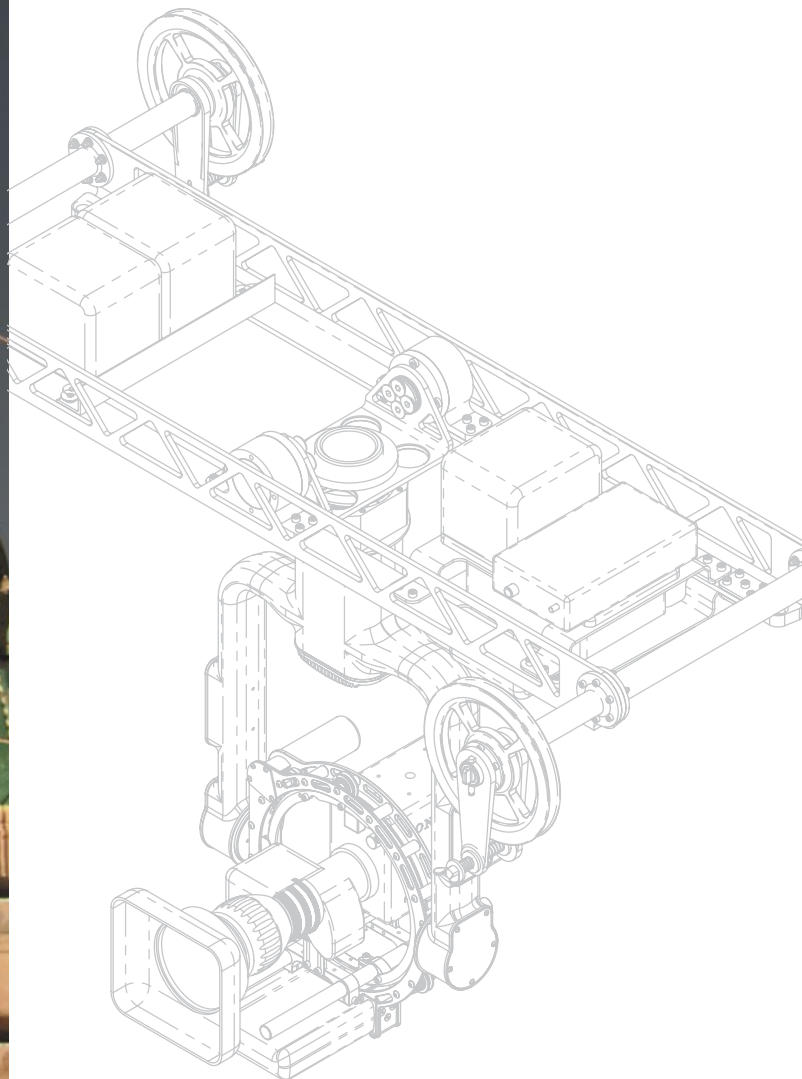
Maximal  
speed  
20 m/s

Wireless  
transmission

# ROBYLINE

ROBYLINE is a classic cable cam with two carrier cables. A separate lightweight traction cable provides motion of a dolly with a camera head. The system supports automated moves and presets.

The typical package includes ROBYHEAD R2 camera head for operation with box cameras. The total weight of the dolly in this case reaches 28 kg. As an option, the dolly may be modified to work with third-party camera heads.





# ROBYRAIL

MOVICOM

ROBYRAIL is a remotely controlled dolly with a camera head that moves along Movietech 620 mm tracks (other tracks available on request).

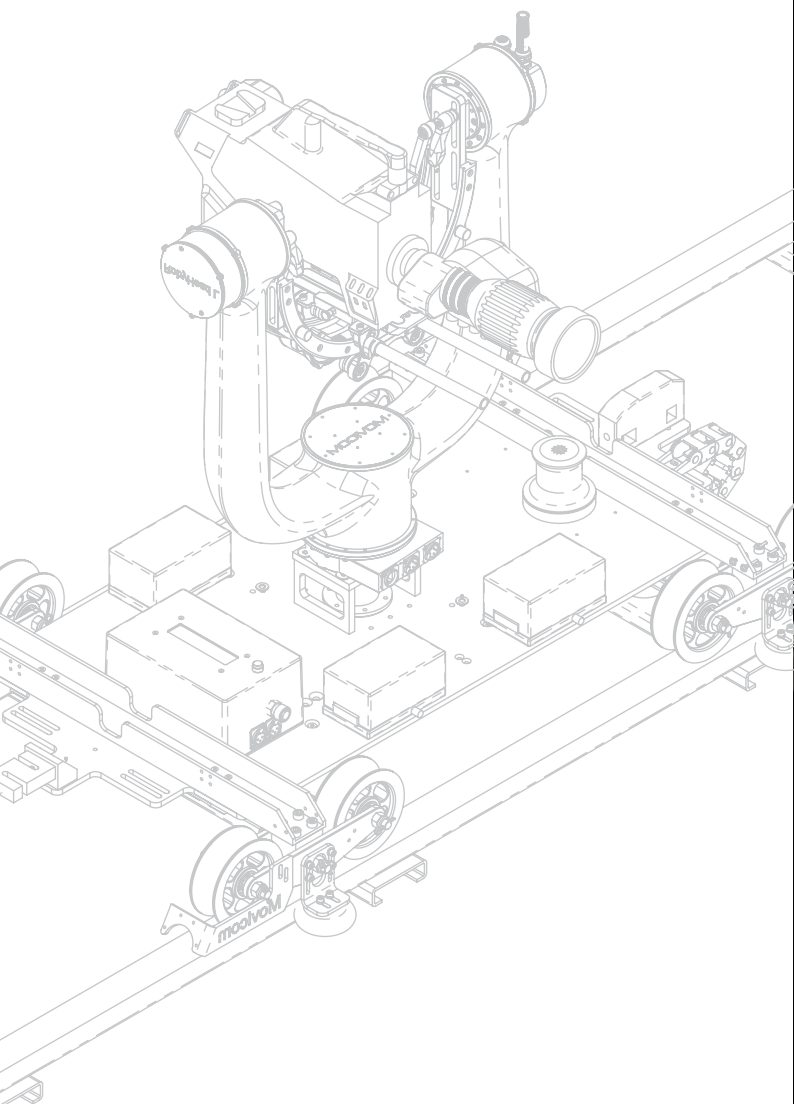
The system may be equipped with a flexible cable carrier for dolly power supply and video and controls transmission or use on-board batteries and wireless transceivers.

The dolly is designed to work with ROBYHEAD R2 camera head and may be modified to support third-party camera heads on request.

Movietech  
620mm  
tracks

Fiber-optic  
or wireless  
transmission

Maximal  
speed  
15 m/s





# ROBYHEAD XS

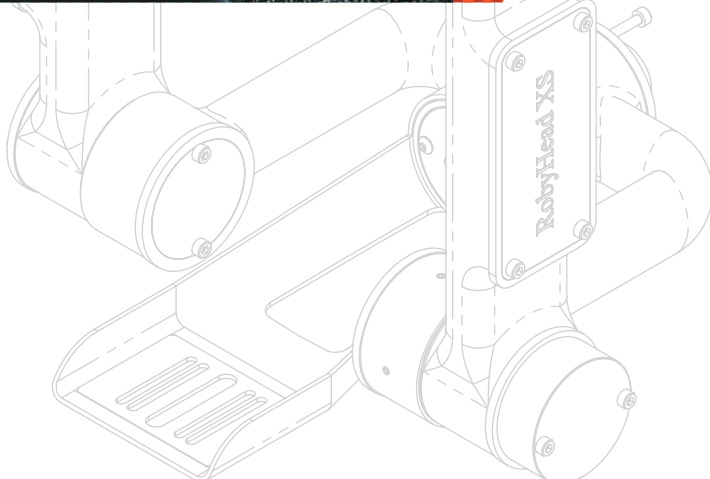
ROBYHEAD XS is one of the smallest professional gyro-stabilized camera heads in the world. It was designed to work on standard Polecam cranes and is capable to carry literally any camera that fits into head's dimensions. This includes, but is not limited to microcameras such as Toshiba, Sinacam etc., as well as hyper-slow motion cameras like Crosscast X-CAM 1050 or similar.

ROBYHEAD XS on a Polecam provides a light yet powerful combination of compactness, easiness of control and high-quality stable image.

Polecam  
compatible

Super  
slow-motion

Weight:  
1,7 kg



Carbon-fiber  
body

RobyHead XS

X  
CROSS CAST

Fully-digital 3-axis  
stabilization



Autohorizon



Setup time  
< 10 min





# ROBYHEAD S

ROBYHEAD S is a lightweight 3-axis gyro-stabilized camera head designed for light jib cranes. It is light enough to work even on Polecams, yet it can carry a great variety of medium-sized cameras from a DSLR to even a box camera. This opens the door for multiple opportunities to work with compact light crane achieving perfect image quality.

## Among possible camera and lens combinations are the following:

- Microcamera + B4 broadcasting lens (for example, high-speed camera with 14x zoom)
- Sony NEX-FS700EK and SONY PMW-EX3 camcoders
- Box cameras
- DSLR
- others

## Control options include:

- Desktop control panel with integrated lens controls (a separate crane operator required)
- Crane-mounted control panel and lens control handle (single person operates both the crane and the head)

## Features:

- 3-axis digital stabilization
- Integrated interface for digital Canon and Fujinon lenses
- External lens motor support
- The head may be mounted overslung and underslung
- Mounting options: Polecam, Mitchell, EuroMount (others on request)

Weight:  
3,5 kg

Desktop  
or on-crane  
controls

For  
Polecams  
and jibs

Custom  
lens motors  
support



Lightweight  
carbon-fiber  
body

Digital control of  
motorized lenses

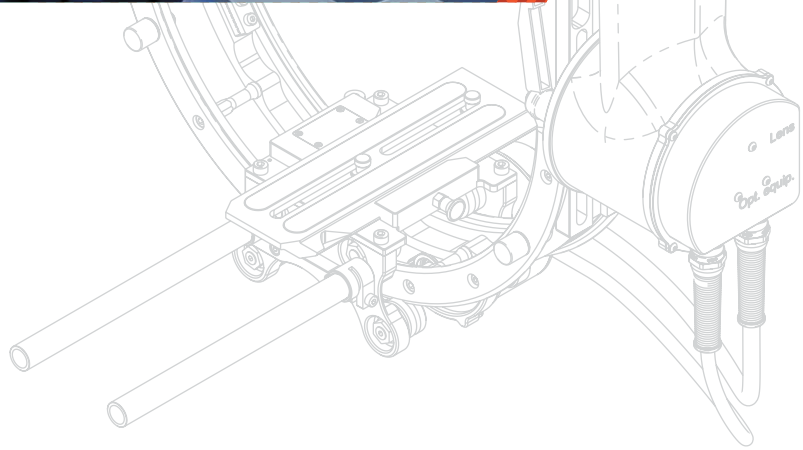
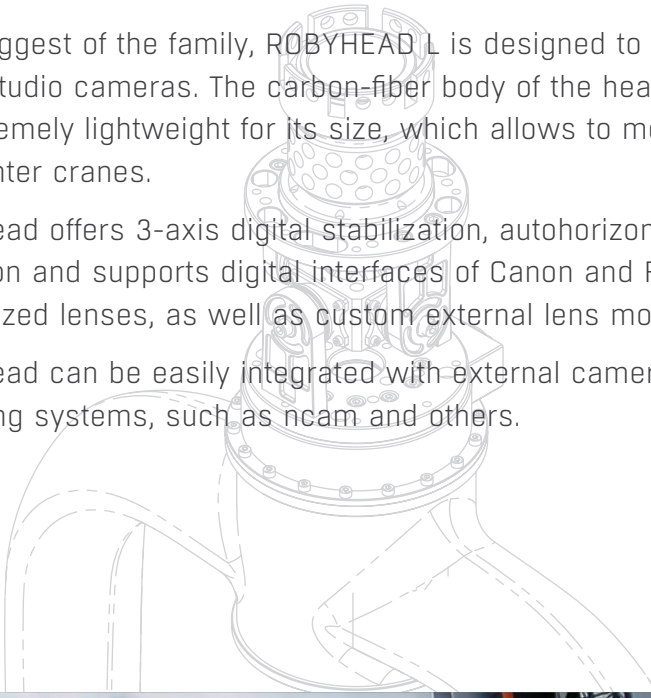


# ROBYHEAD L

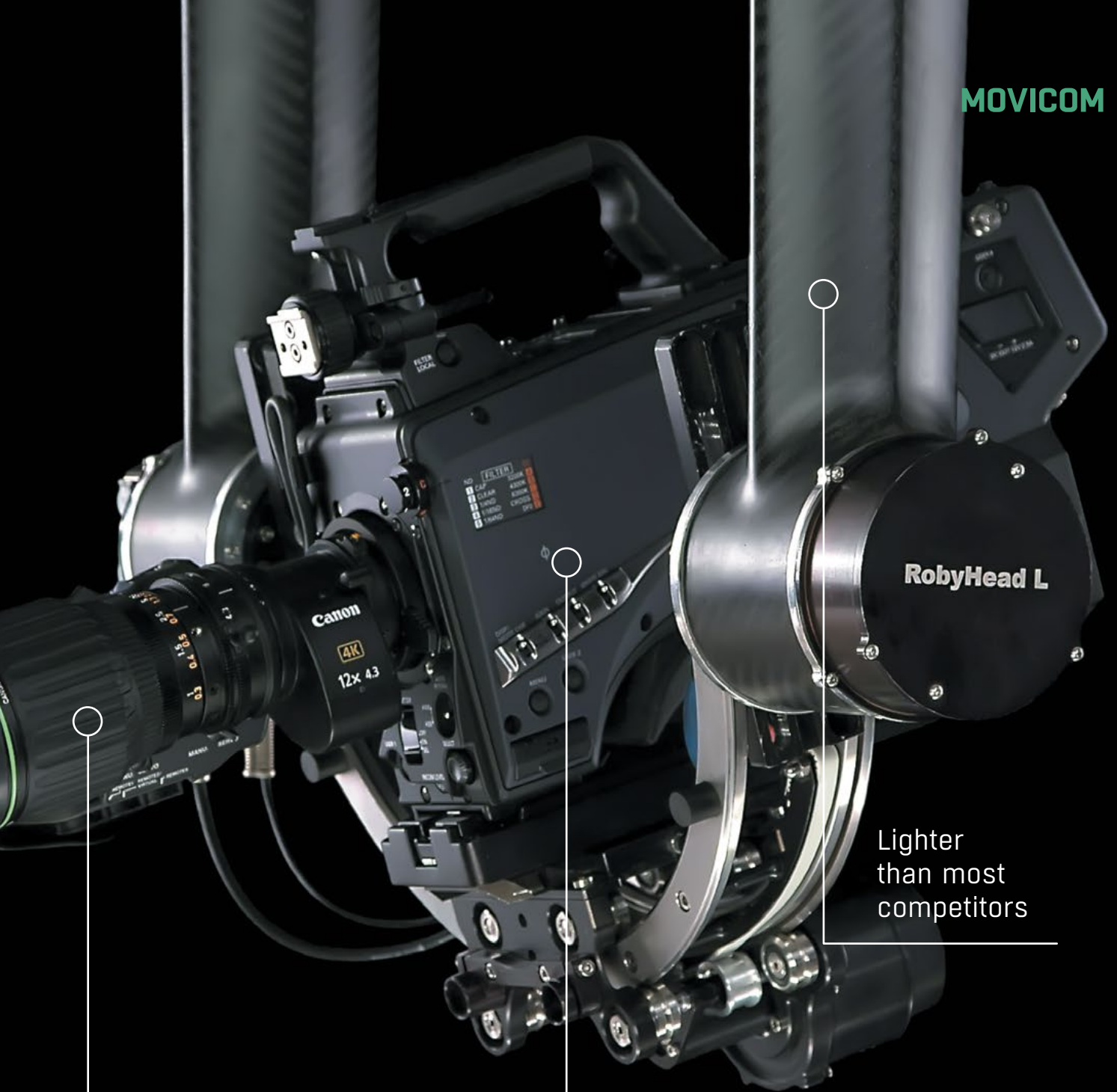
The biggest of the family, ROBYHEAD L is designed to work with studio cameras. The carbon-fiber body of the head makes it extremely lightweight for its size, which allows to mount it on lighter cranes.

The head offers 3-axis digital stabilization, autohorizon function and supports digital interfaces of Canon and Fujinon motorized lenses, as well as custom external lens motors.

The head can be easily integrated with external camera tracking systems, such as ncam and others.







RobyHead L

Lighter  
than most  
competitors

Support for broadcasting lenses  
and external lens motors

Supports all broadcasting studio  
cameras and most cinema camera

Weight:  
13 kg

For light  
and heavy  
cranes

External  
camera  
tracking  
systems  
supported

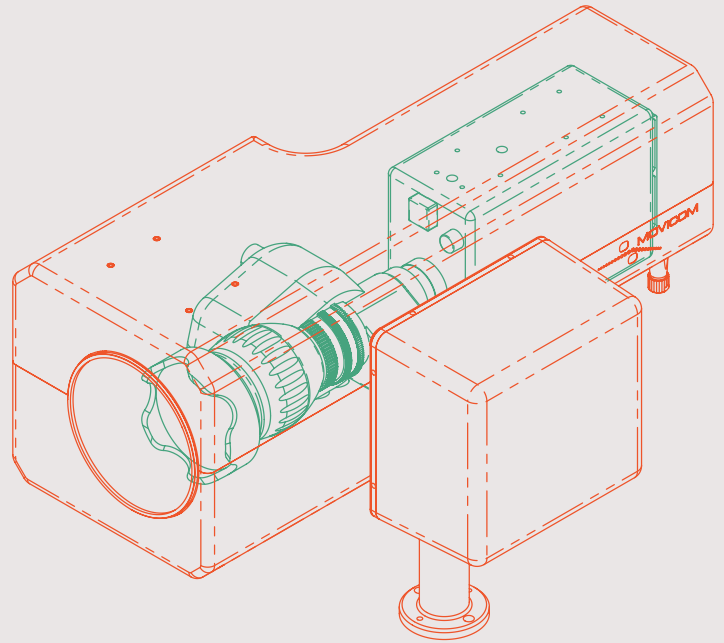


# ROBYHEAD 2D

ROBYHEAD 2D is a low-cost PTZ solution for box cameras. It can be used in normal and upside-down positions and can be easily integrated into broadcasting infrastructure.

Several units may be controlled from a single control panel.

The head may be supplied with weather-protection case for a camera. The case fits most box cameras including Sony HDC-P1, Grass Valley LDX Compact and others with a wide-angle Canon or Fujinon lens. The case provides IP67 protection rating and may be equipped with a heater for low temperatures.



Pan  
Tilt  
Zoom

IP67  
camera  
case

Digital  
lens  
interface



# ROBYHEAD Control Panel



High-precision sensitive joystick

Menu screen for settings adjustment

Industry-standard XLR connectors

Lens controls

# ROBYHEAD Lens Motors



Each motor weight <100 g

Multiple gear sizes

Connectors compatible with all common lens drive controls





# Movicom POV Camera Systems

Compact cameras that can be placed literally anywhere to get the shots just right from the action.

Movicom provides complete solutions for miniature cameras in professional broadcast. The package includes an HD camera, a specially designed camera mount and a radio channel for video and camera control transmission.

Compactness and versatility of the cameras open the door for incredibly vast range of use scenarios limited only by your imagination:



#### Wearable solutions:

- Helmet camera  
(ice hockey referee, horse jockey etc.)
- Eyeglass camera  
(football referee, an in-action reporter without an operator)



#### Static mounts:

- Technical referee viewpoint  
(net camera in tennis or volleyball, line crossing in rugby)
- Budget solution for working in a danger zone  
(track curves at motorsports)
- Vehicle camera
- Extraordinary viewpoints  
(snowbank-cam, sand traps in golf etc.)

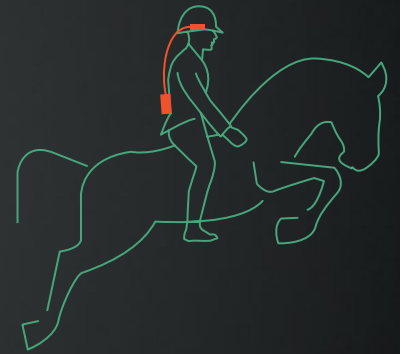
For any application Movicom can create a custom mount that would perfectly fit the shooting task.

MINIATURE

VERSATILE

FULL HD

PLACE IT  
ANYWHERE



Wearable microcameras



## Technical specifications

### Wearable microcamera

- Weight: 70 g with basic mount
- Environmental rating: IP67
- Video output: HD-SDI, up to 1920x1080p60
- Picture controls: White Balance, Exposure, Gamma, Gain

### Static-mount microcamera

- Video output: HD-SDI, up to 1920x1080p60
- Audio In: Yes
- RCP support: Yes

### Wireless transceiver beltpack

- Weight: 170 g without battery
- Transmission range: 300 m (up to 500 m depending on conditions)
- Radio frequency: 5,1..5,8 GHz
- Battery runtime: up to 2 hours
- Camera control transmission supported



# BROADCASTING INFRASTRUCTURE

Having a lot of experience in outside broadcasting and special cameras, Movicom has a clear understanding of what is needed for a proper technological shooting process. Therefore, the company continuously works on various smaller elements of broadcast infrastructure to provide specialized solutions required in this field.

## Intercom Units

### 4-wire Beltpack OB-301

A low-cost solution to connect an operator's headset to a standard 4-wire +4 dBu audio line.

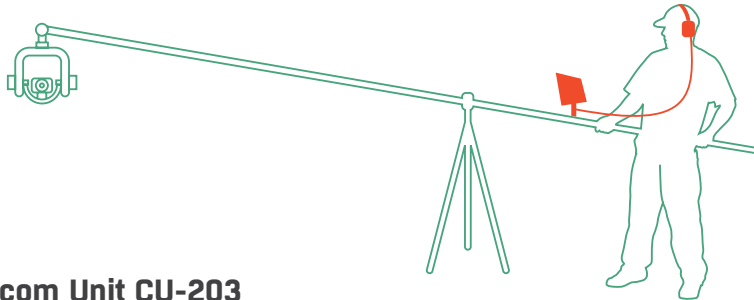


#### Applications:

- Live and outside broadcasting, TV studio
- Polecams and jibs
- Spotters

#### Features:

- Simple and reliable
- Operates from batteries or 12 VDC power supply
- Dynamic and electret microphones



### 4-wire Intercom Unit CU-203

A complete solution to connect 3 operator's headsets to talk between each other and to a standard 4-wire +4 dBu audio line. The unit is essential when several people are required to control a single unit, and only some of them need to talk to the director.



#### Applications:

- Live and outside broadcasting, TV studio
- Special cameras (cranes, tracking and cable systems)

#### Features:

- Connects up to three users
- Options to disconnect users from the line
- Dynamic and electret microphones



# Camera Interface Unit OB-401

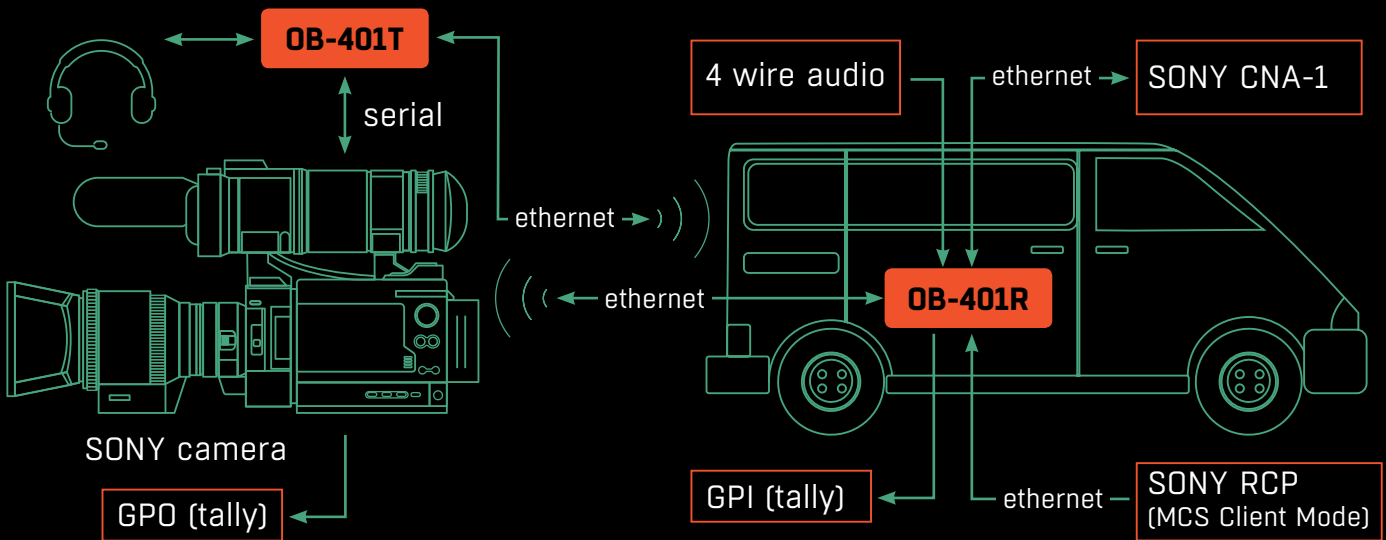
Combine Sony camera controls, intercom audio and tally in a single Ethernet link and send them via WiFi.

The solution allows to setup a camera (including all Sony cameras) at a remote or moving position with minimal hardware required.



### Applications:

- Live and outside broadcasting
- Steadicams



The system is compatible with studio and box cameras of all major manufacturers. Sony cameras require special treatment as their proprietary communication protocols do not tolerate any delay or packet loss caused by instabilities in communication channels. Thus simple approaches for wireless transmission cannot be applied to them. OB-401 solves this problem and provides stable reliable connection for most operational conditions.

### Features and benefits:

- Packs all required camera connections into a single Ethernet link
- No specific requirements to wireless equipment
- Passive PoE at the camera-end unit for transmitter power supply
- Only one unit at the camera end, all other equipment is placed in the OB-van
- Multiple tally I/O options
- Optional bracket for mounting on studio cameras



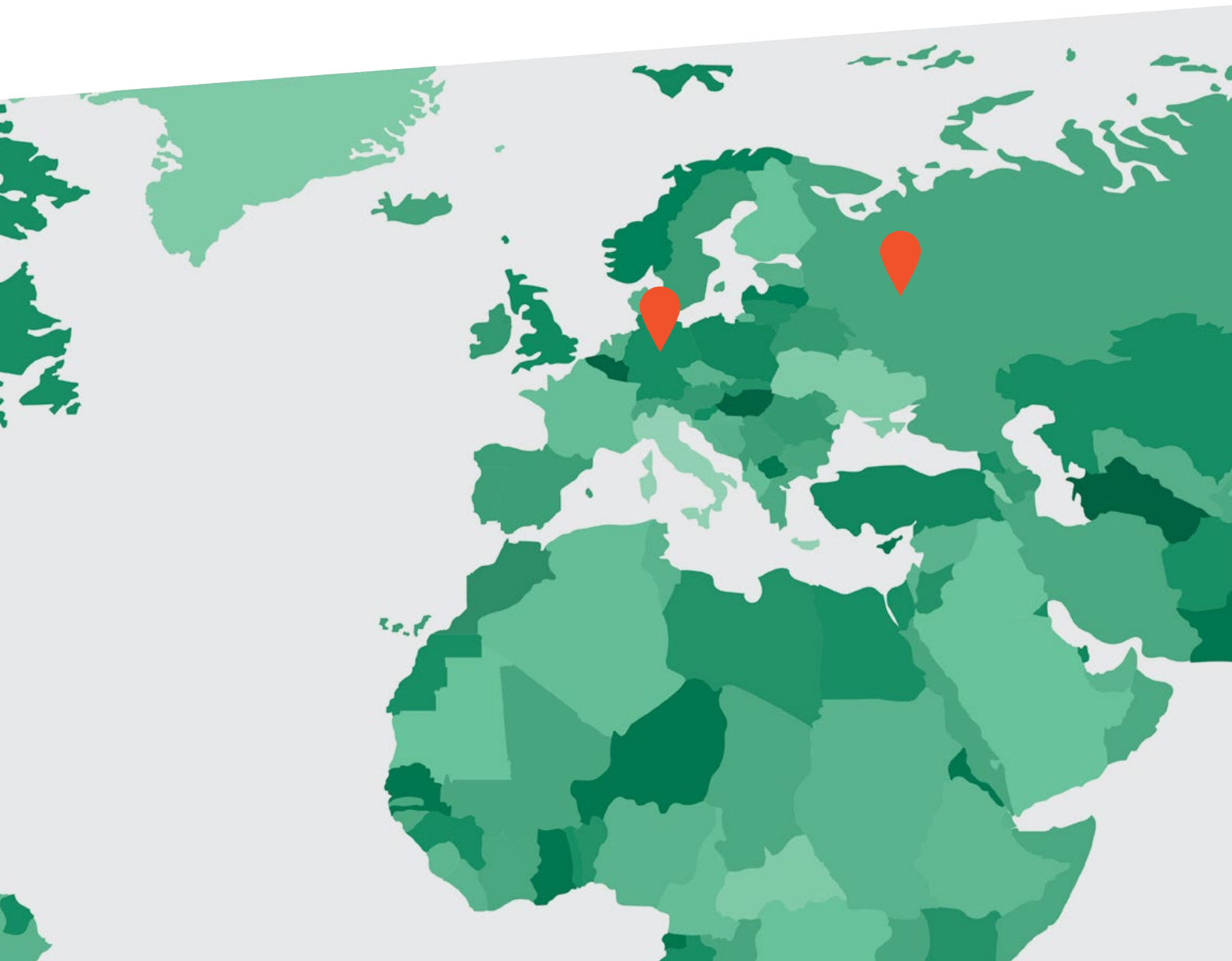
# MOVICOM RENTAL AND PRODUCTION SERVICES

After acquiring much expertise in broadcasting and special cameras as a manufacturer, Movicom started its own rental and services department in 2013.

Ever growing since then, currently Movicom provides services worldwide, and its services team consists of experienced professionals with a long record of international broadcasting projects.

The company provides all personnel required for a successful production including producers, technical managers, engineers, technicians, riggers and operators.

Company also has good long-lasting relations with many teams/enterprises working in broadcasting all over the world.



## Rental services

- ROBYCAM systems
- Rail camera systems
- Jibs
- Remote and gyro-stabilized heads
- POV and wearable cameras
- HSSM cameras

## Production services

- Full-service production support with technology and staff
- Local support for the international broadcasters in CIS region
- ROBYCAM staff training and certification







[www.movicom.tv](http://www.movicom.tv)

#### MAIN OFFICE

Movicom LLC

Nauchny proezd, 20  
117246, Moscow, Russia

[info@movicom.ru](mailto:info@movicom.ru)  
[www.movicom.tv](http://www.movicom.tv)

#### GERMANY

Broadcast Solutions GmbH

Alfred-Nobel-Str. 5  
55411 Bingen, Germany

[info@broadcast-solutions.de](mailto:info@broadcast-solutions.de)  
[www.broadcast-solutions.de](http://www.broadcast-solutions.de)

#### JAPAN

GIA Robycam Japan

4-5-7 Higashiizumi,  
Komae city,  
Tokyo 201-0014, Japan

[info@robycamjapan.or.jp](mailto:info@robycamjapan.or.jp)  
[www.rocketjapan.com](http://www.rocketjapan.com)

#### CHINA

Lynex Film Technology

288 Hongjing Road,  
LSHQ International Center  
201103 Shanghai, China

[lynex@lynextechnology.com](mailto:lynex@lynextechnology.com)  
[www.lynextechnology.com](http://www.lynextechnology.com)